
Flair O' Outdoor

SEDIE

2023

Monica Armani



Description

The Flair O' Outdoor chair is characterized by a lightweight aluminium frame completely covered with an interlacing of polypropylene ribbons created following a meticulous artisan process. In particular, the backrest is woven on a special circular loom (tombolo) in line with an ancient technique typical of the area where the B&B Italia headquarter is located. To fine-tune it, Monica Armani collaborated with unPIZZO, a design studio based in Cantù, which specializes in the recovery and development of traditional weaving techniques revisited in a contemporary key and applied to the furnishing sector. The structures, available in sophisticated shades, is completed by two padded cushion that define the shape and provide even more comfort. Flair O' Outdoor is proposed in two heights to match with the two heights of the Allure O' Outdoor tables: a classic seating height and a less imposing one more devoted to relaxation.

Technical information

Frame

tubular aluminium

Interlacing

polypropylene fibre braid

Back upholstery

recycled polyester fibre from PET, cover in water repellent polyester fibre

Seat upholstery

flexible polyurethane foam, cover in water repellent polyester fibre

Ferrules

thermoplastic material

Waterproof cover cloth

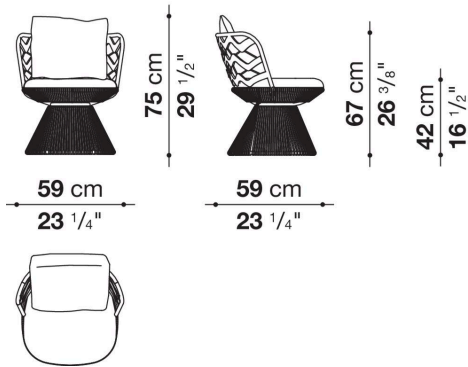
PES fabric coated on one side in PU

Cover

fabric in limited categories

Technical drawings

OFL60_B



OFL60_A

