

# Nooch

DIVANI

2023

Piero Lissoni



## Description

After the great success of Borea, Piero Lissoni and B&B Italia continue to pursue research and sustainability in the outdoor sector, creating Nooch, a modular seating system whose name is inspired by the tropical botanical garden of Nong Nooch in Thailand. Its key feature is the tubular structure in recycled aluminium, a light and strong material, completely recyclable. A choice inspired by simplicity, which recalls elementary tubular structures and ennobles them with a design that pays attention to every detail. The intersection of the structural elements represents the iconic feature of this collection, with the particular elbow curve achieved by the way the aluminium bends. A design and engineering detail that combines function and beauty. Nooch is a system that offers the possibility of creating infinite combinations from two base modules: a rectangular one and a square one. Both can be equipped with backrests and armrests and have an aluminium top with slats on which the cushions rest. The modules can be arranged as free-standing units or attached firmly together by means of special interlocking joints so as to create a variety of configurations. A series of additional top sections, to be inserted between the elements, offers even greater compositional freedom. The paddings are designed with sustainability in mind. They use regenerated materials, which are completely separable, and consist of two layers of polyurethane with different densities and firmness: one layer made of polyurethane recycled from production waste and one made of virgin bio-polyurethane, both wrapped in an outer sheath of recycled PET. The system is completed by a small round service element to be inserted between the cushions to offer further support and a particular backrest/armrest cushion to be inserted between the elements to create inverted and double-sided seats.

# Technical information

---

**Frame**

die-cast aluminium and extrusions

**Back and seat upholstery**

shaped polyurethane, biodegradable polyester fibre recycled from PET, cover in water repellent polyester fibre

**Cushion upholstery (NH60\_60C)**

biodegradable polyester fibre recycled from PET, cover in water repellent polyester fibre

**Armrest support (NH60\_SB)**

shaped polyurethane, cover in water repellent polyester fibre

**Top section and service element**

Serpentine stone or solid wood

**Spacers**

plastic material

**Ferrules**

thermoplastic elastomer

**Waterproof cover cloth**

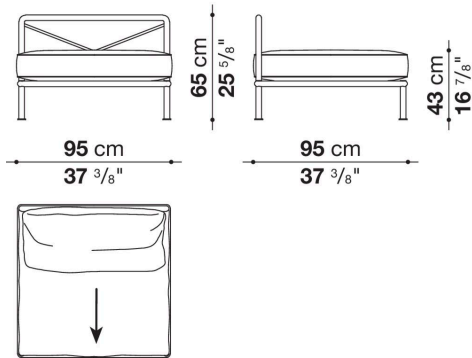
PES fabric coated on one side in PU

**Cover**

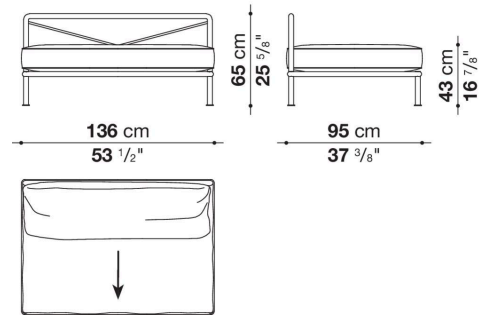
fabric in limited categories

# Technical drawings

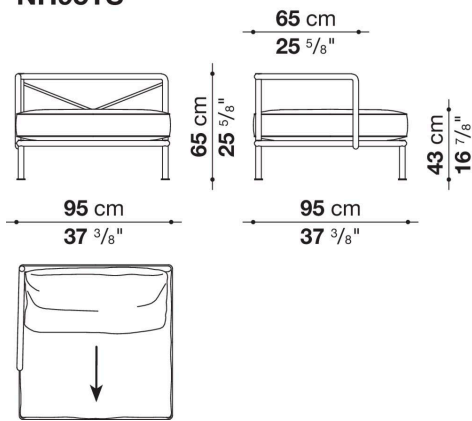
**NH95C**



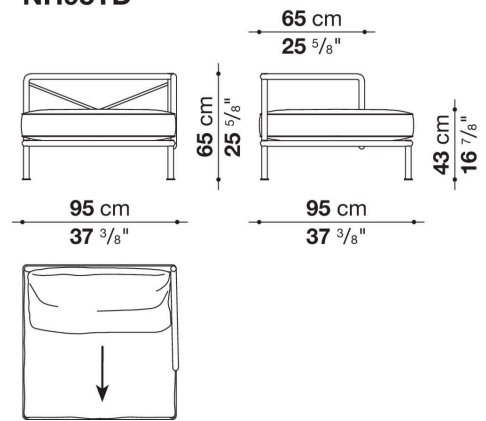
**NH136C**



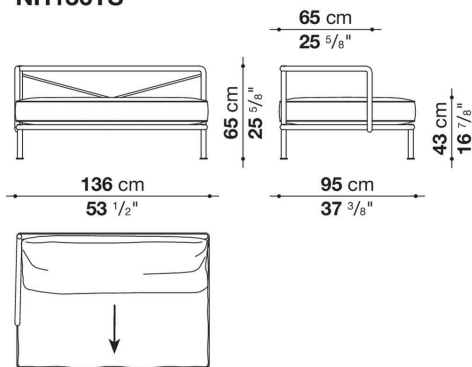
**NH95TS**



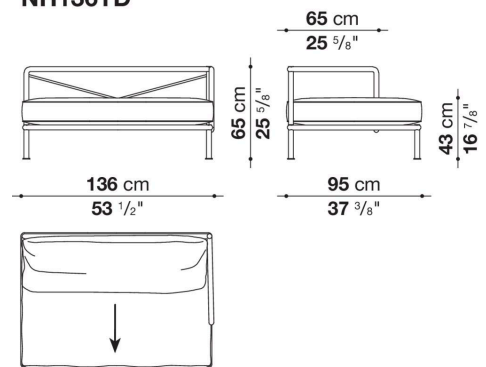
**NH95TD**



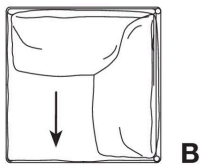
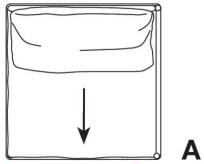
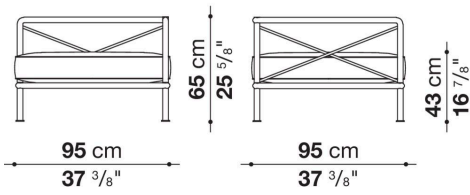
**NH136TS**



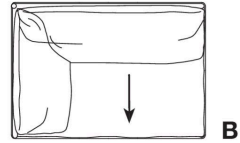
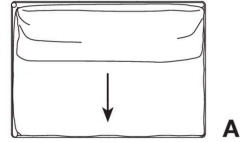
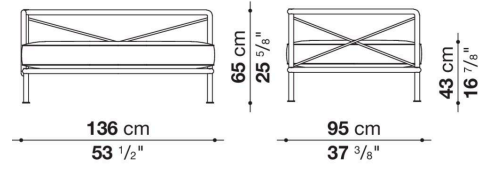
**NH136TD**



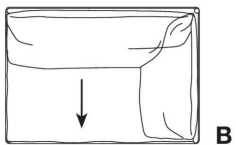
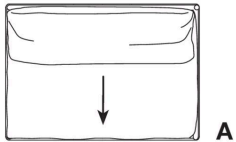
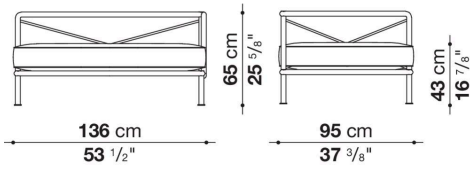
### NH95A



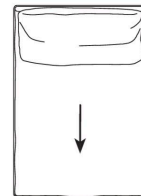
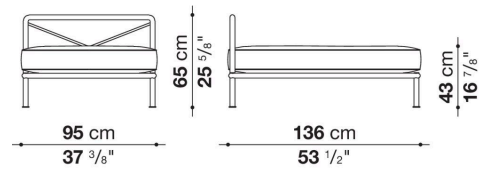
### NH136AS



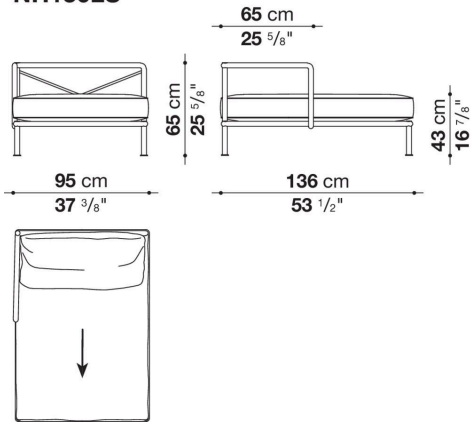
### NH136AD



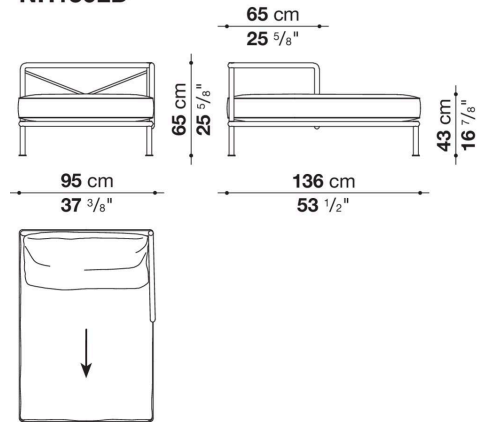
### NH136L



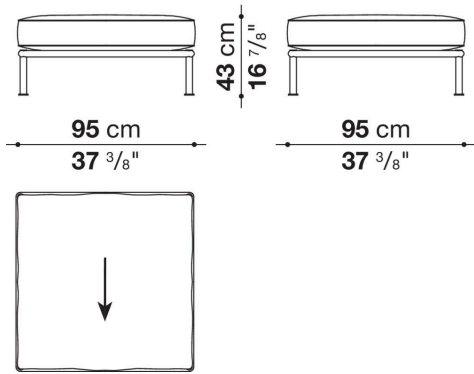
**NH136LS**



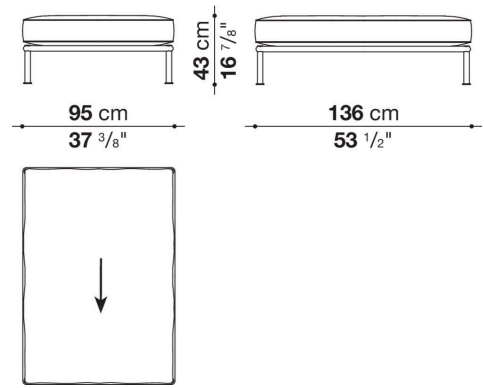
**NH136LD**



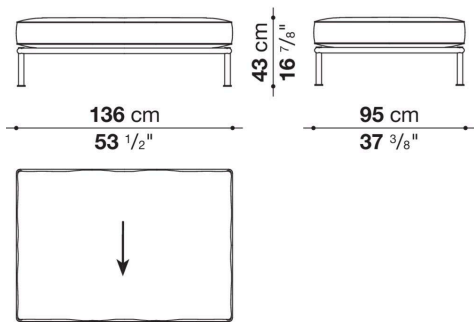
### NH95PQ



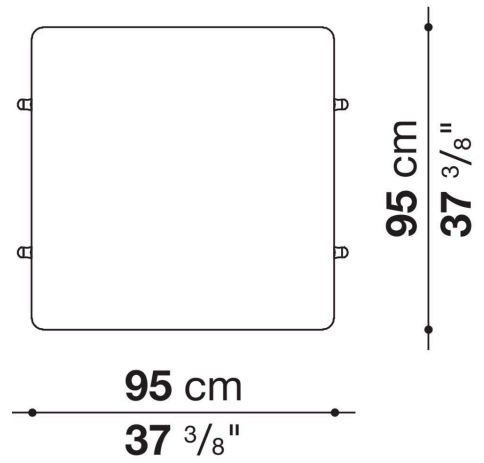
### NH95P



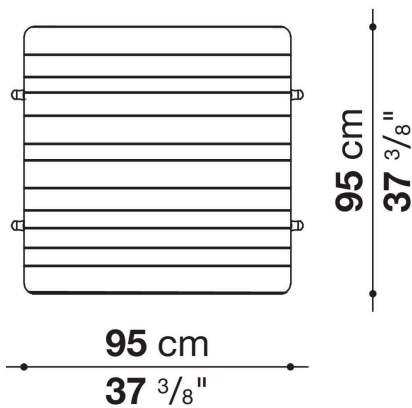
### NH136P



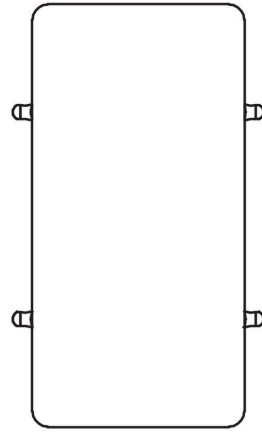
### NH1P



### NH1P\_L



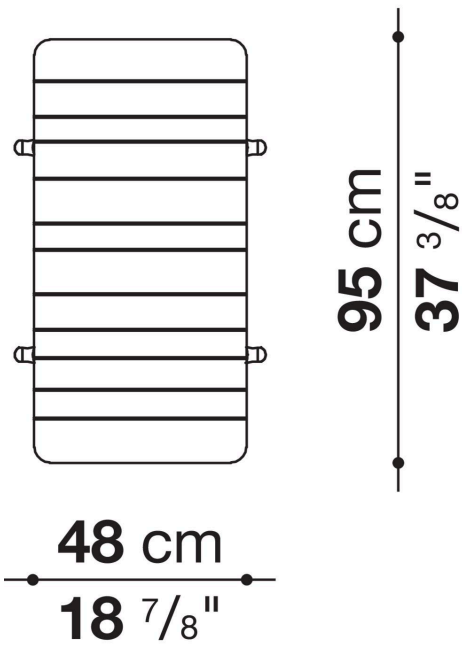
# NH2P



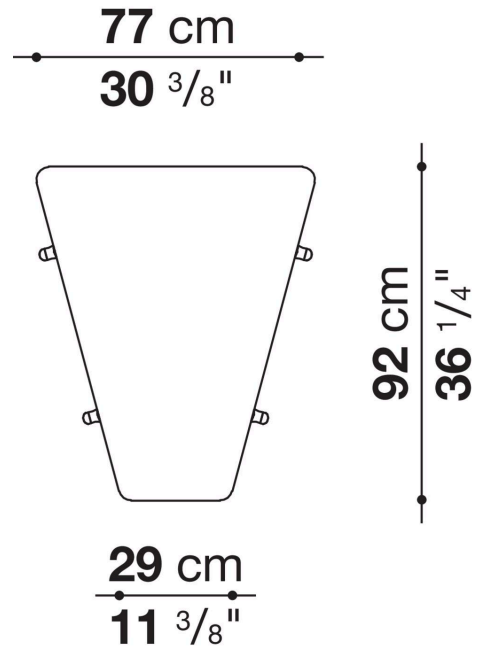
48 cm  
18 <sup>7</sup>/<sub>8</sub>"

95 cm  
37 <sup>3</sup>/<sub>8</sub>"

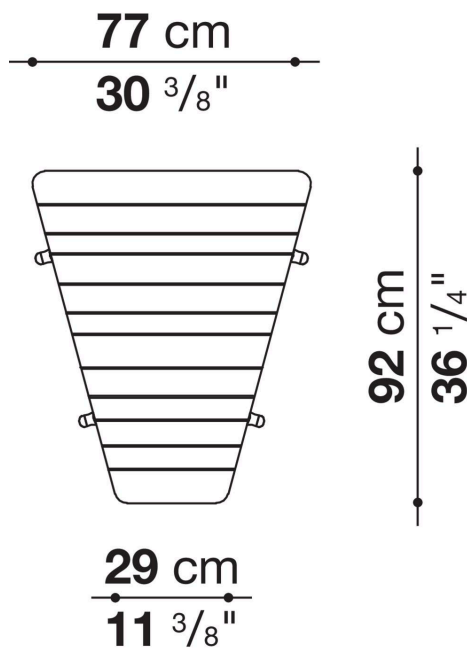
# NH2P\_L



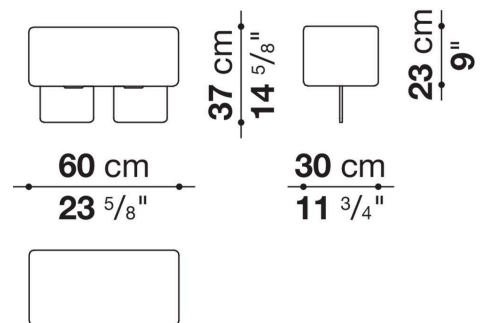
# NH3P



# NH3P\_L



# NH60\_SB

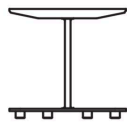




# TNH32\_L



28 cm  
11"



32 cm  
12 5/8"

32 cm  
12 5/8"

