

Bamboletto

LETTI

2022

Mario Bellini



Description

The Bamboletto bed is part of Le Bambole series, originally designed in 1972, awarded with the Compasso d'Oro in 1979. An upholstered bed with generous shapes that features the design of the iconic seats collection, Bamboletto is one of the most significant expressions of Made in Italy excellence combining research and creative flair.

Technical information

Bed sides

multi-layered wood panel, shaped polyurethane, polyester fibre cover

Headboard

tubular steel and steel profiles, flexible cold shaped polyurethane foam, polyester fibre cover

Headboard cushion

polyester fibre, cotton cover

Corner and crosspiece

steel

Slatted base support

galvanized steel

Central foot

aluminium

Feet

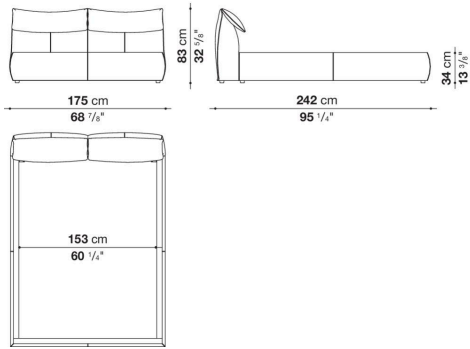
plastic material

Cover

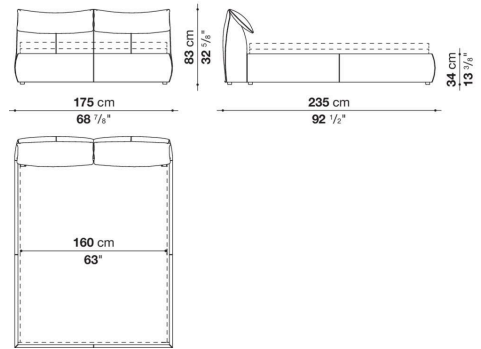
fabric or leather

Technical drawings

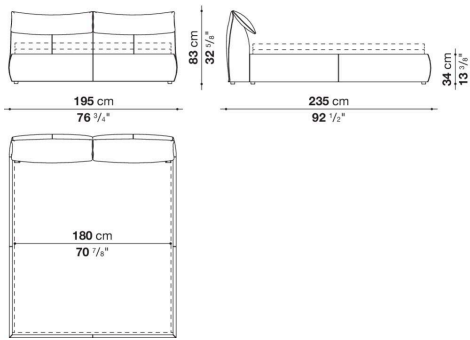
LBL153



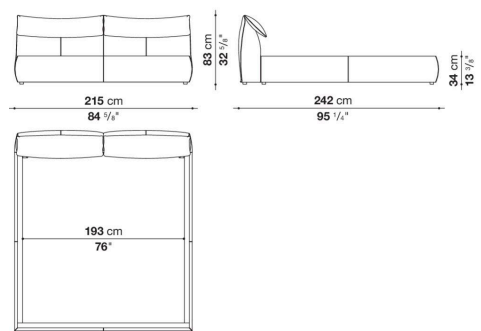
LBL160



LBL180



LBL193



LBL200

