

Pablo Outdoor

TAVOLINI

2022

Vincent Van Duysen



Description

The decisive yet soft lines of Pablo Outdoor seats are perfectly balanced in the small cement outdoor tables. Linear, solid, and highly geometric shapes represent the heart of these architectural objects with a certain effect. To provide multiple solutions, the small Pablo Outdoor tables come in two sizes and two colours. The colours give shape to a large, low model that works perfectly as an island defining a conversation area, and a higher, narrower model with a square base, is ideal as a service element next to the sofa or armchair.

Technical information

Top and frame

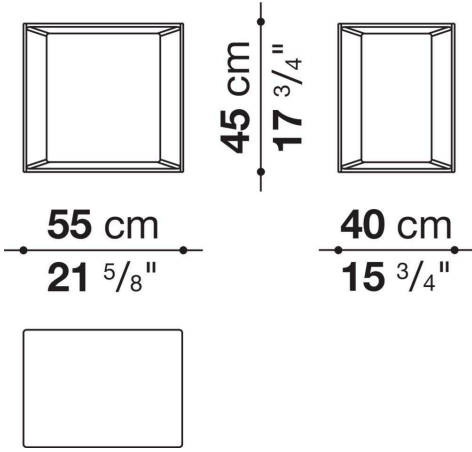
cement (Ultra High Performance Concrete)

Ferrules

thermoplastic material

Technical drawings

TPB55



TPB130

