

# Ac Executive

TAVOLI

2007

Antonio Citterio



## Description

---

A complete range of wooden furniture designed to furnish executive offices and meeting rooms with great elegance, but also to solve home office needs. The series includes storage units, sideboards, bookcases, meeting tables and writing-desks. There are also solutions for wiring management, storage units with lockable drawers for suspended filing and wardrobe use containers.

## Technical information

---

**Top (ACE9-ACE10-ACE19)**

solid wood, veneered wood particles panel

**Top (ACE13)**

plywood panel with honeycomb-core and veneered MDF wood fibre

**Top (ACE20)**

veneered wood particles panel

**Support frame and crosspiece**

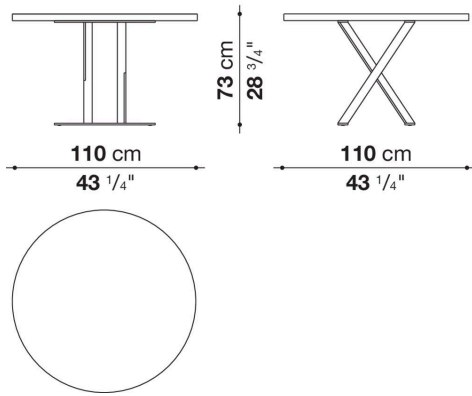
drawn steel

**Adjustable feet**

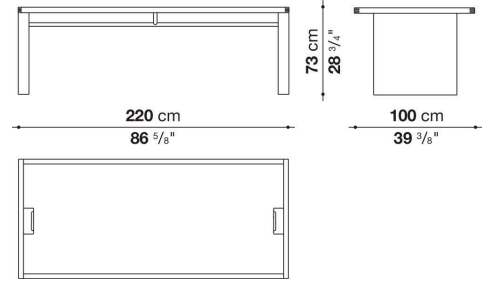
steel and plastic material

# Technical drawings

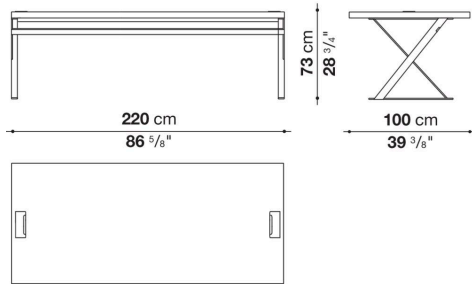
**ACE20**



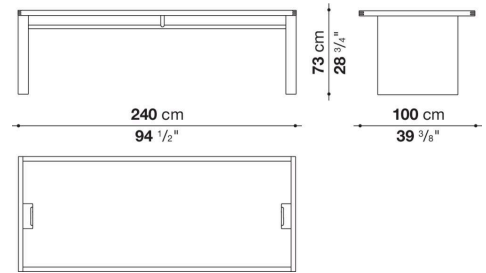
**ACE9**



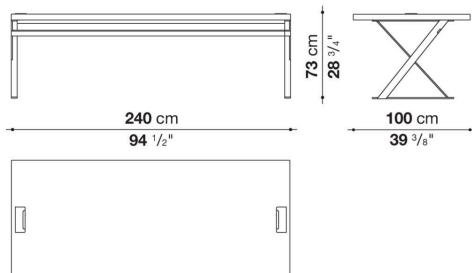
**ACE13**



**ACE19**



**ACE15**



**ACE10**

