

Fat-Sofa Outdoor

POLTRONE

2015

Patricia Urquiola



Description

The rounded, soft and sinuous shapes of the Fat-Sofa Outdoor seating system are characterized by an original interlacing design. Its fully padded seat is accompanied by a metal frame backrest that supports the original weave, creating a special play of fullness and emptiness. The large weave pattern, made of twisted polyethylene fibres, makes the design unique, respecting the idea of lightness, transparency and puts the furnishings in an open “dialogue” with the surrounding environment.

Technical information

Frame

aluminium with polyester powder painting

Interlacing

polyethylene fibre

Internal frame

tubular steel and steel profiles, polystyrene foam

Internal frame upholstery

flexible cold shaped polyurethane foam, shaped polyurethane of different density, water repellent polyester fibre cover (with heat-sealed ribbon)

Back cushion

polyester fibre, cover in water repellent polyester fibre

Bottom base

100% polyamide fabric coated PVC, PVC trimming

Feet

thermoplastic material

Waterproof cover cloth

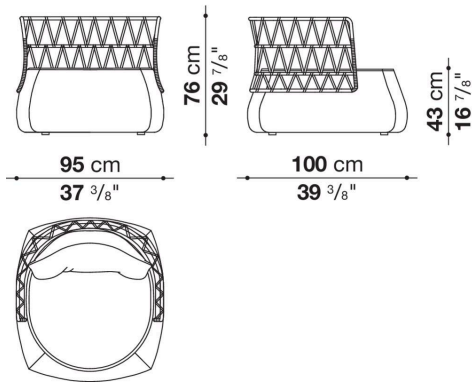
PES fabric coated on one side in PU

Cover

fabric in limited categories

Technical drawings

FA91B



FA91A

