

Pushpam

TAVOLI

2018

Naoto Fukasawa



Description

Pushpam is a collection of tables that stand out for their perfect formal balance and for the striking texture of their cement finish.

The Pushpam tables are characterized by their minimalist and refined design. They are crafted with high-quality materials, ensuring durability and long-lasting resistance

Technical information

Top and base-frame

cement (Ultra High Performance Concrete)

Coupling plate

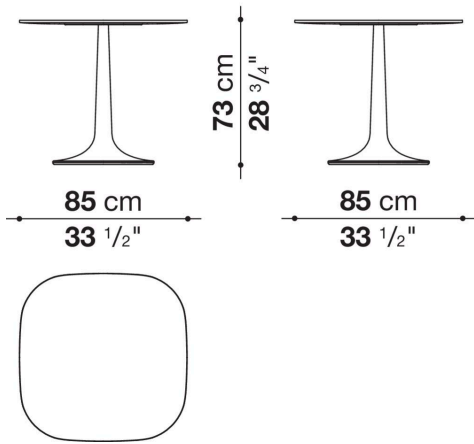
galvanized sheet

Ferrules

thermoplastic material

Technical drawings

TF85A



TF100RA

