

# Hospes

POUF

2020

B&B Italia Cr&S



## Description

---

Hospes is an extremely versatile ottoman, a dynamic complement that can be used in different ways and that goes perfectly with different product families. Made in two sizes and three colours, it has a sturdy aluminium frame covered with a polyethylene fibre interlacing. In the upper part, the interlacing is held up by webbing that provides support and comfort.

## Technical information

---

**Internal frame**

tubular aluminium and aluminium profiles

**Upholstery**

shaped polyurethane

**Interlacing**

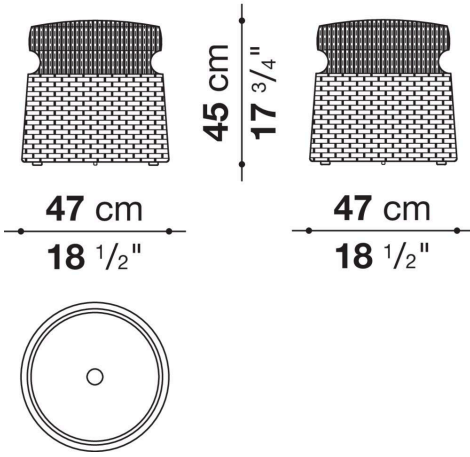
polypropylene fibre braid

**Ferrules**

thermoplastic material

# Technical drawings

## HE2



## HE1

