

# Crinoline

SEDIE

2008

Patricia Urquiola



## Description

---

The Crinoline chairs and stools are characterised by a sophisticated polyethylene fibre interlacing with a surprisingly natural texture. The chairs are available in two versions: with a woven backrest combined with a bright stainless steel base and a fabric upholstered seat; or with an aluminium frame that supports the curved seat and back, as if to create an entirely interwoven double shell silhouette. The stools, in two heights, have a woven back, a bright stainless steel base and a fabric upholstered seat.

## Technical information

---

**Base-frame**

stainless steel or aluminium with polyester powder painting

**Seat cushion/Seat and back cushion**

shaped polyurethane, cover in water repellent polyester fibre

**Interlacing**

polyethylene fibre

**Ferrules**

thermoplastic material

**Waterproof cover cloth**

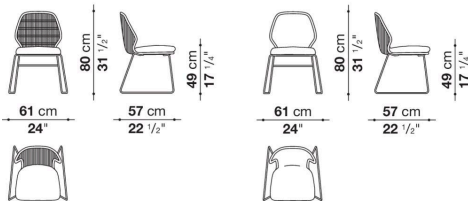
PES fabric coated on one side in PU

**Cover**

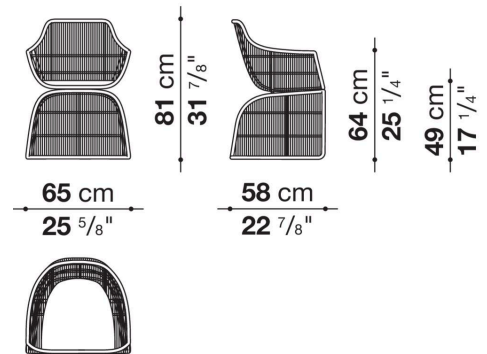
fabric in limited categories

# Technical drawings

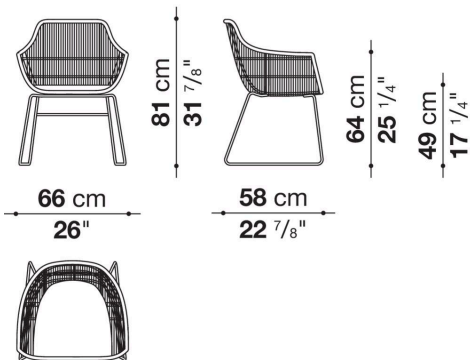
**C1PF**



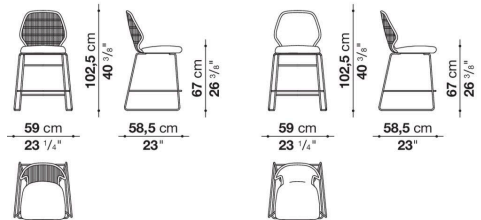
**C2P**



**C2PF**



**C7PF**



**C6PF**

