

Borea

TAVOLINI

2021

Piero Lissoni



Description

The Borea small tables for outdoor use offer refined support solutions that play with shapes, sizes and materials. They stand out for their thin frame in painted steel rod and tops in enamelled lava stone, both available in different colours.

By experimenting with different heights and sizes, the Borea small tables cater to every requirement.

Technical information

Frame

tubular stainless steel

Top

enamelled lava stone

Ferrules and spacers

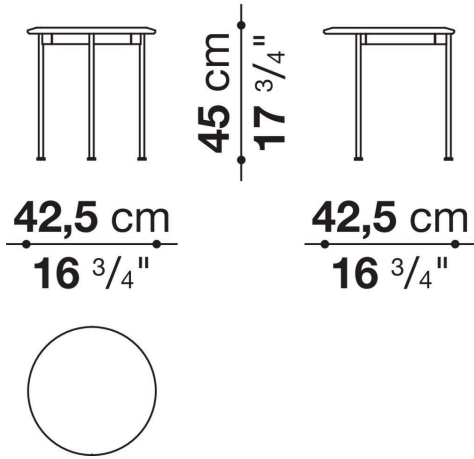
plastic material

Waterproof cover cloth

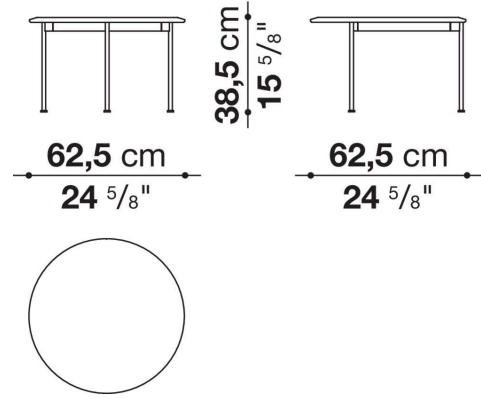
PES fabric coated on one side in PU

Technical drawings

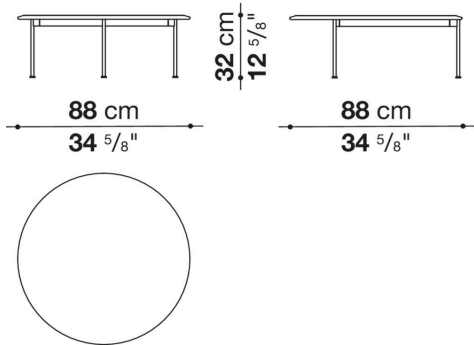
TBE4



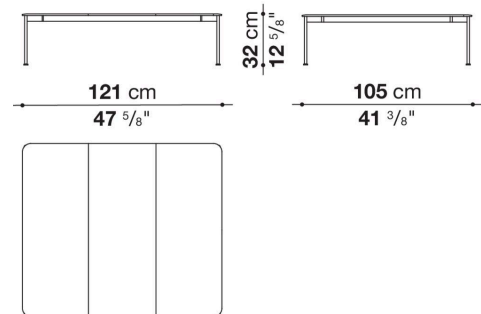
TBE6



TBE8



TBE121



TBE162

