

# Canasta '13

TAVOLINI

2013

Patricia Urquiola



## Description

---

The Canasta '13 small tables for outdoor use complement the family of seats of the same name, and yet are so flexible as to suit any setting where a table is needed. They come in two versions: the first, a decorative model with soft shapes, features a frame characterised by coloured twisted polyethylene fibre bands and a tray top in painted steel; the second, more minimalist and geometric, has a powder-painted steel frame and a porcelain stoneware top.

## Technical information

---

**Frame**

steel with polyester powder painting

**Top**

tiles in porcelain stoneware

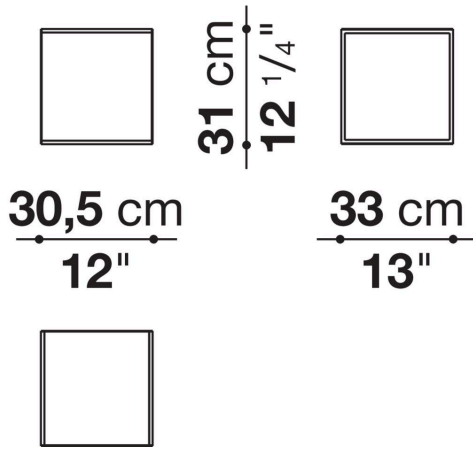
**Service element tray (PCNC60-PCNC80-PCNC110)**

steel sheet with polyester powder painting

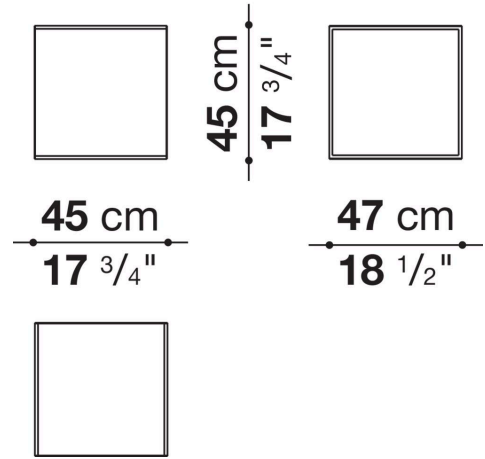
**Ferrules**

thermoplastic material

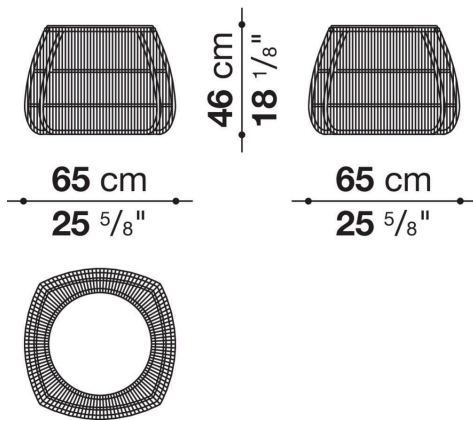
## TCNC3



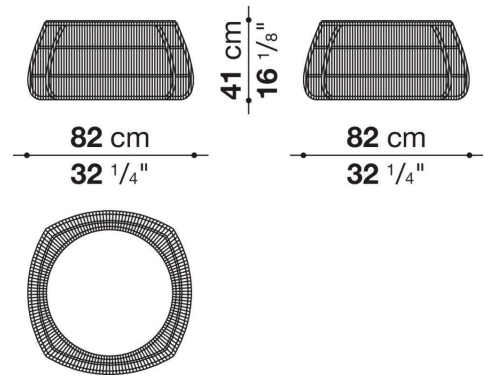
## TCNC4



## PCNC60



## PCNC80



**PCNC110**

