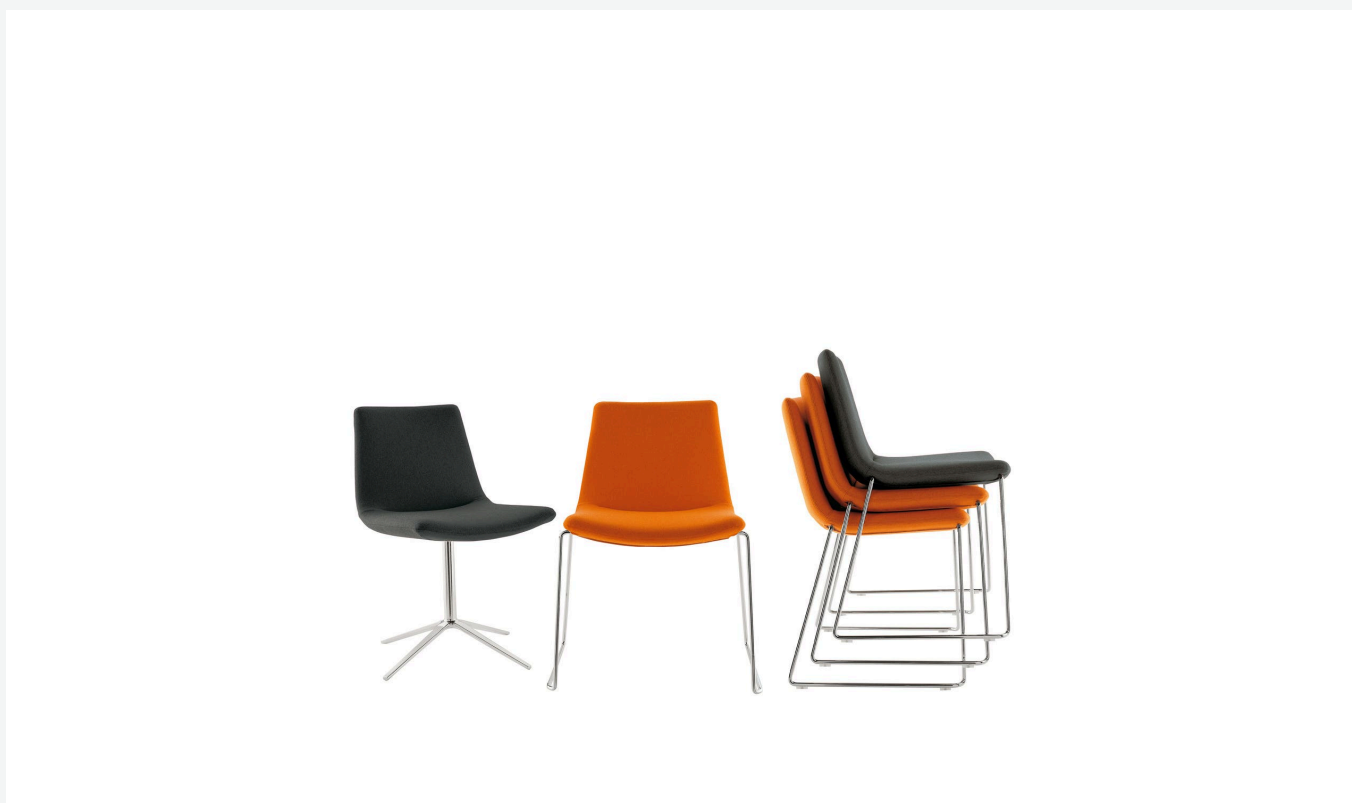


# Cosmos

SEDIE

2006

Jeffrey Bernett



## Description

---

The decidedly contemporary Cosmos chair stands out for its frame available in different versions: from the one with a classic four-spoke base in brushed aluminium and a swivel seat, to the stackable one in chromed steel rod, particularly suited to the contract industry. Extremely comfortable thanks to the generous padding, it can be upholstered in fabric or leather.

## Technical information

---

**Internal frame**

tubular steel and steel profiles

**Internal frame upholstery**

Bayfit® flexible cold shaped polyurethane foam, polyester fibre cover

**Swivel support frame (CS48)**

die-cast aluminium and extrusions

**Support frame (CS48F)**

drawn steel

**Ferrules**

thermoplastic material

**Clip for joining chairs (CLP)**

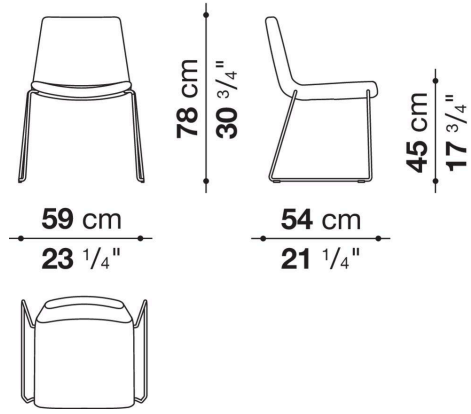
plastic material

**Cover**

fabric or leather in limited categories

# Technical drawings

## CS48F



## CS48

