

Cosmos

TAVOLI

2006

Jeffrey Bennett



Description

Cosmos is a series of round and square tables in different sizes, all sharing the same spoke frame in aluminium. The tops are available either in laminate or in oak in a variety of finishes. Harmoniously minimalist, they can be combined with one another, adapting with ease to various uses in the home and in the contract industry.

Technical information

Top

solid core HPL stratified laminate or multi-layered wood panel, multi-laminate surface

Support frame

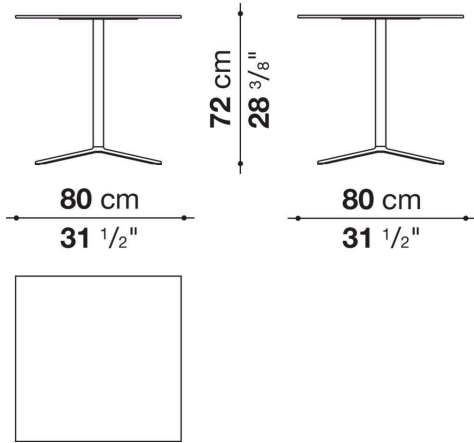
die-cast aluminium and extrusions

Ferrules

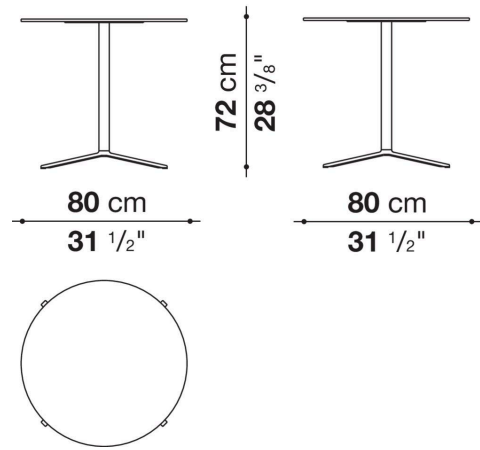
thermoplastic material

Technical drawings

CST0807Q



CST0807R



CST1007R

