

Husk Outdoor

POLTRONE

2011

Patricia Urquiola



Description

Comfort and eco-sustainability are the key words for describing the Husk Outdoor chairs. A collection that is a tribute to softness and an invitation to relax thanks to the generous extra soft cushions with a capitonné design. The hard shell is made of Hirek®, a special plastic material made up of recycled and recyclable polymers. The shell is in one colour, while the fixed seat support is available in different colours. The cushions come in two versions, with larger sizes on the seat or on the back.

Technical information

Shell

Hirek® plastic material

Upholstery

polyester fibre, cover in water repellent polyester fibre

Base-frame

aluminium profiles with polyester powder painting

Ferrules

plastic material and stainless steel

Waterproof cover cloth

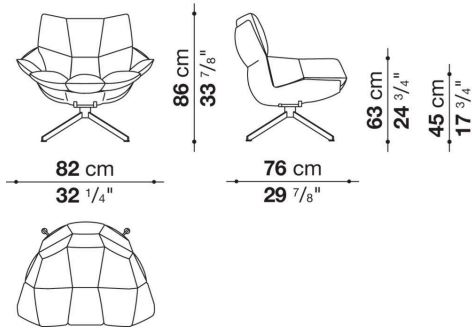
PES fabric coated on one side in PU

Cover

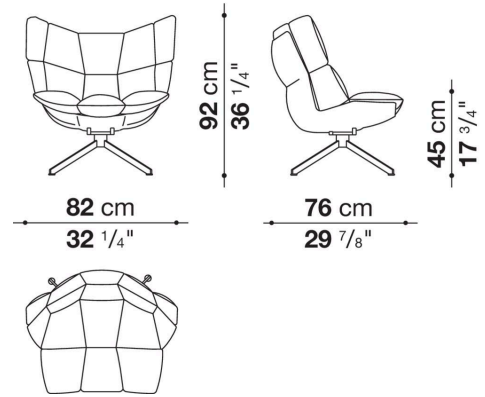
fabric in limited categories

Technical drawings

H4



H2



HP1

